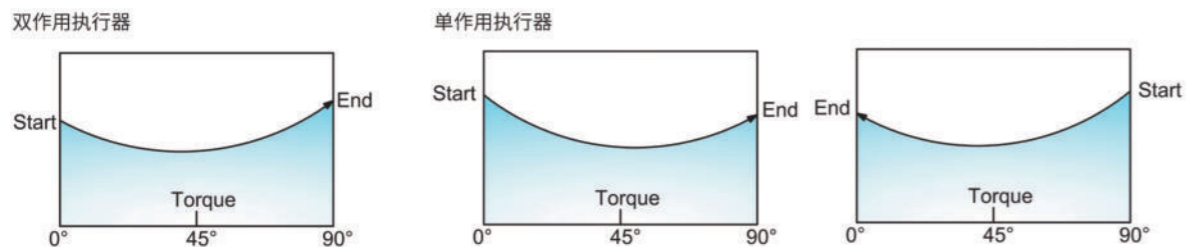


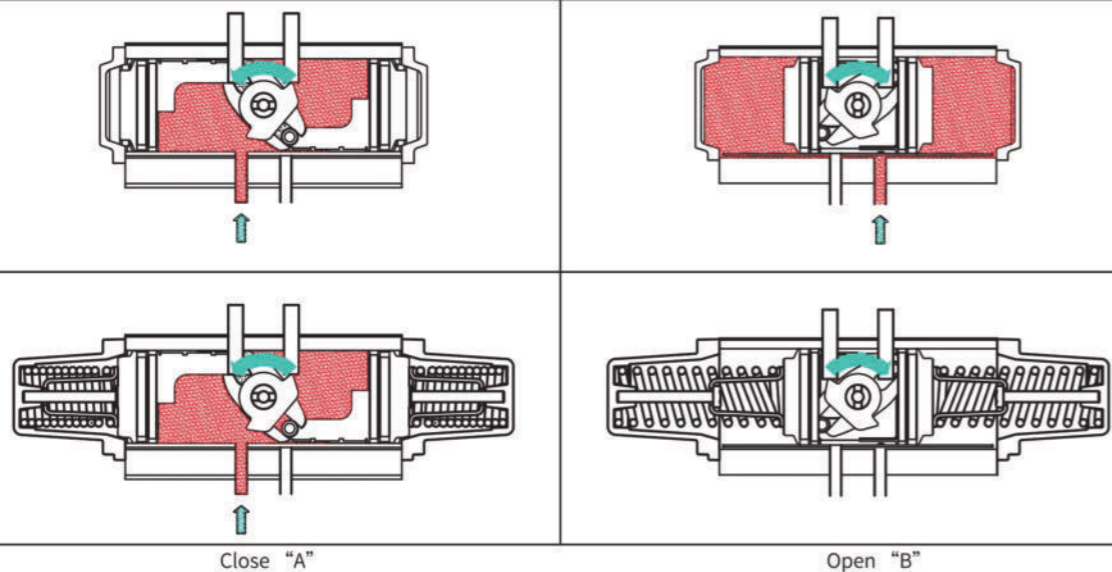
## 技术参数

### ■ 扭矩图



### ■ 耗气量

#### 失气关



双作用			单作用		
型号	A	B	型号	A	B
AD50	0.2	0.2	AS50	0.2	0.2
AD65	0.3	0.3	AS65	0.3	0.3
AD80	0.6	0.5	AS80	0.6	0.5
AD100	1.2	1.1	AS100	1.2	1.0
AD125	2.5	2.2	AS125	2.5	2.1
AD140	3.9	3.5	AS140	3.9	3.3
AD160	4.8	4.3	AS160	4.8	4.0
AD200	6.2	9.0	AS200	6.2	7.6

# Autorun

VALVE ACTUATOR  
TRUSTED BRAND



**Autorun**



欧德隆控制阀有限公司 地址: 中国浙江省温州市永嘉县瓯北五星工业区 Address: Wuxing Avenue, Dongou Industrial Park, Wenzhou, China  
Tel: 0577-67371192 0577-67378617 0577-67370667 Fax: 0577-67968831 http://www.autorun-control.com e-mail: nora@autorun.net.cn

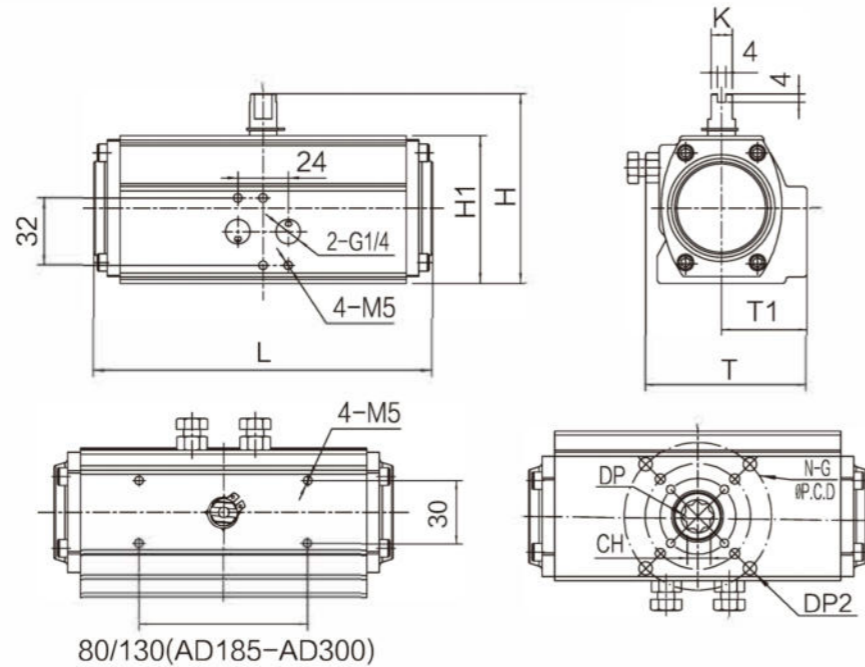
While this information is presented in good faith and believed to be accurate, Solent & Pnat A Division of Curtis Wright Coriolis Ltd. does not guarantee satisfactory results or performance on such information. Nothing contained herein is to be construed as a warranty, guarantee, or implied, including the performance, maintenance, fitness or other matter with respect to the products, nor as a recommendation to use any product or process in connection with them. Solent & Pnat A Division of Curtis Wright Coriolis Ltd., reserves the right, without notice, to alter or improve the designs or specifications of the products described herein.

# "BTY" SERIES BTY 系列

拨叉式气动执行器

**BTY系列 (双作用)**

尺寸



型号	ISO	Ø P.C.D	N-G	DP2	CH	DP	K	T	T1	H	H1	L	重量 (kg)
AD50	F03/F05/F07	36/50/70	4-M5/M6/M8	8/10/12	11×11	15	10	75	40	90	70	162	1.4
AD65	F05/F07	50/70	4-M6/M8	10/12	14×14	18	10	89	46	106	87	204	2.3
AD80	F07	70	4-M8	14	17×17	20	14	101	52	125	106	249	3.9
AD100	F07/F10	70/102	4-M8/M10	14/16	22×22	27	17	129	62	148	128	309	6.7
AD125	F07/F10	70/102	4-M8/M10	14/16	22×22	26	19	155	71.5	172.5	153	404	11.3
AD140	F10/F12	102/125	4-M10/M12	20/26	27×27	30	19	169	77	192.5	172	436	16.4
AD160	F14	140	4-M16	26	36×36	45	19	190	88.5	216	196	514	23.7
AD185	F14	140	4-M16	26	36×36	50	29	218	103	245	224.5	579	34.8
AD200	F16	165	4-M20	30	46×46	60	36	231	115	284	254	605	45.5

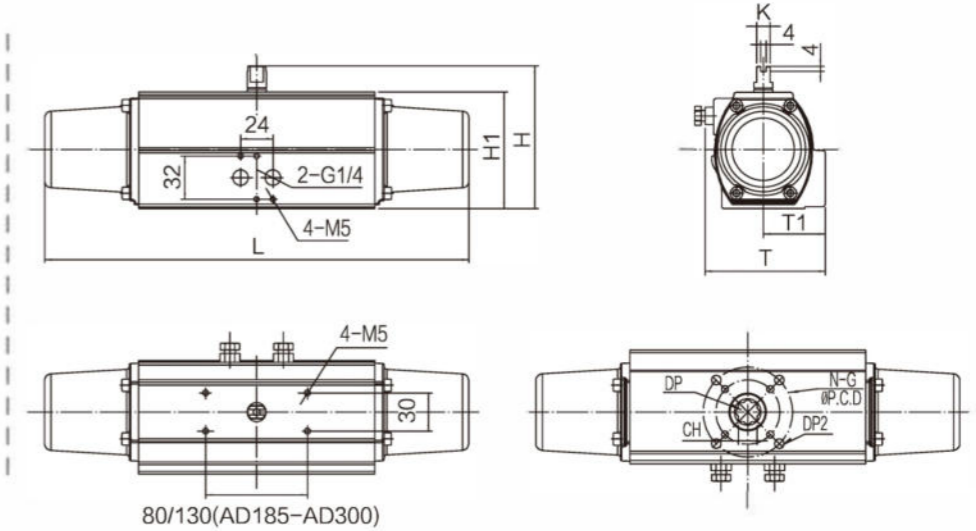
扭矩表

单位: Nm

型号	行程	4bar	5bar	6bar	型号	行程	4bar	5bar	6bar
AD50	0°	32.3	39.9	47.5	AD140	0°	779.0	969.0	1159.0
	45°	20.0	24.7	29.5		45°	427.5	532.0	641.3
	90°	39.9	48.5	59.9		90°	788.5	1007.0	1263.5
AD65	0°	69.4	84.6	99.8	AD160	0°	1187.5	1472.5	1748.0
	45°	43.7	55.1	65.6		45°	674.5	845.5	1011.8
	90°	88.4	111.2	134.0		90°	1363.3	1805.0	2123.3
AD80	0°	133.0	166.3	199.5	AD185	0°	1520.0	1900.0	2251.5
	45°	76.0	95.0	114.0		45°	1092.5	1349.0	1615.0
	90°	166.3	218.5	266.0		90°	1919.0	2441.5	3021.0
AD100	0°	247.0	304.0	365.8	AD200	0°	2612.5	3163.5	3676.5
	45°	147.3	185.3	223.3		45°	1491.5	1852.5	2223.0
	90°	266.0	342.0	418.0		90°	2432.0	3068.5	3705.0
AD125	0°	508.3	631.8	745.8					
	45°	323.0	399.0	475.0					
	90°	612.8	821.8	983.3					

**BTY系列 (单作用)**

尺寸



型号	ISO	Ø P.C.D	N-G	DP2	CH	DP	K	T	T1	H	H1	L	重量 (kg)
AS50	F03/F05/F07	36/50/70	4-M5/M6/M8	8/10/12	11×11	15	10	75	40	90	70	256	1.6
AS65	F05/F07	50/70	4-M6/M8	10/12	14×14	18	10	89	46	106	87	314	3.0
AS80	F07	70	4-M8	14	17×17	20	14	101	52	125	106	418.5	5.3
AS100	F07/F10	70/102	4-M8/M10	14/16	22×22	27	17	129	62	148	128	498	9.5
AS125	F07/F10	70/102	4-M8/M10	14/16	22×22	26	19	155	71.5	172.5	153	608	17.6
AS140	F10/F12	102/125	4-M10/M12	20/26	27×27	30	19	169	77	192.5	172	683	23.9
AS160	F14	140	4-M16	26	36×36	45	19	190	88.5	216	196	781	36.6
AS185	F14	140	4-M16	26	36×36	50	29	218	103	245	224.5	881	56.9
AS200	F16	165	4-M20	30	46×46	60	36	231	115	284	254	982	77.2

扭矩表

单位: Nm

型号	行程	弹簧	气源 4.5Bar	弹簧	气源 6Bar	型号	行程	弹簧	气源 4.5Bar	弹簧	气源 6Bar
AS50	0°	16.2	22.8	23.0	28.3	AS140	0°	384.8	555.8	888.3	1059.3
	45°	12.0	10.8	16.5	14.0		45°	228.0	247.0	498.8	508.3
	90°	24.2	11.4	33.3	14.3		90°	446.5	375.3	940.5	731.5
AS65	0°	43.7	49.4	56.6	64.9	AS160	0°	503.5	902.5	1548.5	1292.0
	45°	24.9	23.3	34.4	32.3		45°	289.8	465.5	874.0	703.0
	90°	47.2	30.6	65.2	39.9		90°	536.8	769.5	1681.5	931.0
AS80	0°	76.0	95.0	114.0	123.5	AS185	0°	1035.5	1111.5	1681.5	2375.0
	45°	42.8	42.8	61.8	61.8		45°	579.5	598.5	1035.5	1092.5
	90°	85.5	61.8	118.8	85.5		90°	1140.0	855.0	1947.5	1472.5
AS100	0°	114.0	166.3	152.0	237.5	AS200	0°	1206.5	1833.5	3277.5	3942.5
	45°	76.0	76.0	99.8	118.8		45°	674.5	921.5	1738.5	2071.0
	90°	152.0	99.8	209.0	152.0		90°	1239.8	1349.0	3315.5	2888.0
AS125	0°	285.0	384.8	408.5	470.3						
	45°	166.3	204.3	237.5	247.0						
	90°	318.3	318.3	446.5	384.8						